

QT25 Short Locator Trainer System



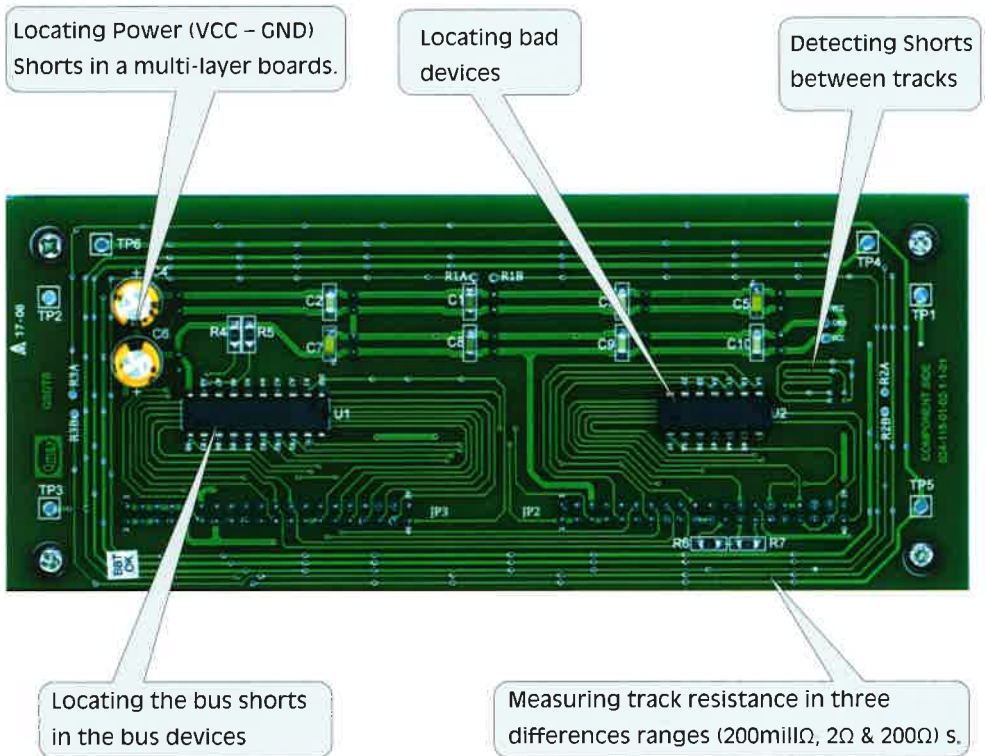
To educate the students to find out exact location of the shorts in a bare / populated PCBs whether due to shorted component or any track shorts.

The PCB short locator helps to find out the exact component shorts especially when components are connected in parallel (a partial short in a component / track) are identified, where it is highly impossible to detect shorts using conventional tools like Digital Multi Meter etc. One can effectively detect the shorts in populated PCBs, be it due to track shorts or due to shorted components.

Multimeters typically don't measure in milli Ohms and hence tracing a short in a board will be difficult. QT25 is designed to locate shorts up to milli Ohm ranges between 200 mOhm & 200 Ohms in any board. By principle, the impedance of the track up to a verified point is calculated with a reference point on the same track.

The audio beep of varying frequency gives an instant indication to the user whether he is approaching or moving away from the short.

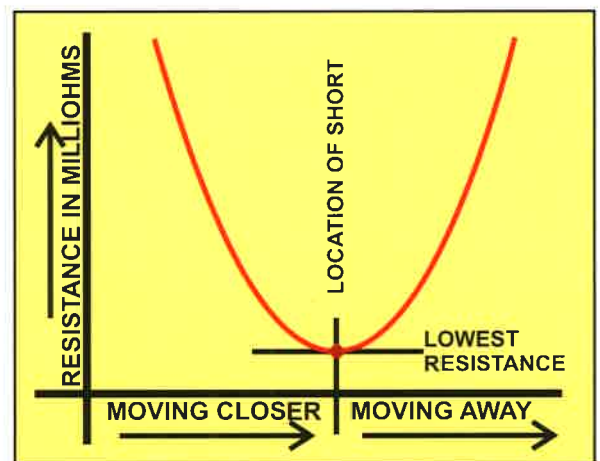
QT25 can be used to locate shorts in a board effectively to detect in populated PCBs, be it a track shorts or bus track shorts or shorted components.



Short Locator Training Kit

A Four-Wire Resistance Measurement technique is used for low resistance measurements that reduce the effect of test lead resistance. As a result, the resistance value can be determined much more accurately.

A milli ohm meter using four-wire resistance measurement technique is used to detect the accurate short in the populated PCBs.



Qmax reserves the right to change system specifications without prior notice; Qmax is the registered trademark of Qmax Group; QSM is the innovative signature method developed by Qmax; Windows is the registered trademark of Microsoft Corporation; Intel is registered trademark of Intel Corporation. All the other trademarks are acknowledged.



— where standards are set; not matched.

For more information, mail to :
sales@qmaxtest.com

Or visit us at :
www.qmaxtest.com

TOLL-FREE PHONE - INDIA : 1-800-425-9627

AUTHORIZED DISTRIBUTOR